

Street Light L-series CamberRay

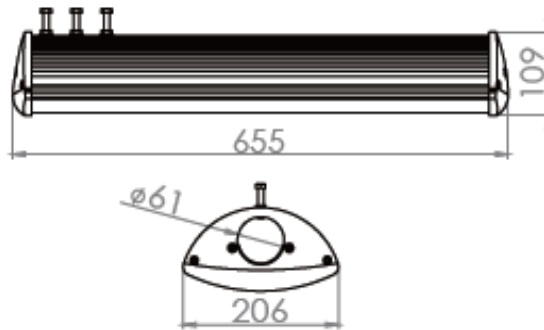
Whole system (Lamp and power supply) is UL approved

	100W	120W	150W
* CCT 5000K * IP67 * Made in Taiwan * Warranty 2 years			
Model Number	TAR-N-C36-C100 OST100A	TAR-N-C36-C120 TAR-N-C36-C120-1 OST120A	TAR-N-C72-C150 OST150A
LED	 	 	 
Input voltage	AC 90 ~ 277V	AC 90 ~ 277V	AC 90 ~ 277V
CCT	5000K	5000K	5000K
Luminous Flux (lm)	7800 lm	11900 lm	13300~15600 lm
Dimension	L655 mm	L655 mm	L655 mm
Weight	< 8 kg	< 8 kg	< 8 kg
Power supply	Mean Well 	Mean Well 	Mean Well 
Certificate	CE & UL 	CE & UL 	CE & UL 

Unit: mm



Excellent heat sink (work well even heavy dust), Excellent waterproof, merge in water test OK



ATM Comercial Iluminación LED

Tel: 2296 0070 • Pavas, San José, Costa Rica
f ATM LEDES de Costa Rica • www.iluminacionledcr.com