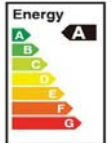


T8 LED TUBE

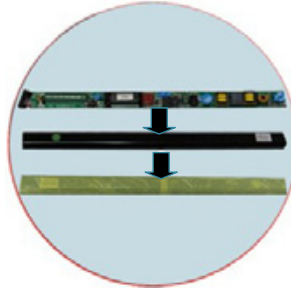
SMD UL DLC Approved T8 LED Tube Light



DESIGNLIGHTS
CONSORTIUM



Features



- ◆ UL & DLC are available
- ◆ >100lm/W, CRI≥80
- ◆ Special circuit design, each LED works separately. If one fails, it does not affect other LED's work
- ◆ Double Insulation driver--- pass 3000V high voltage test @ 60s
- ◆ PF>0.98 @ 100V; PF>0.9 @277V

Specification

Color Temperature: 3000K,4000K,5000K

THD: ≤20%

Input Voltage: AC85-277V,50/60Hz

Driver efficiency: ≥0.87

Temperature Characteristics: TA=25℃

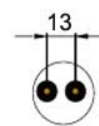
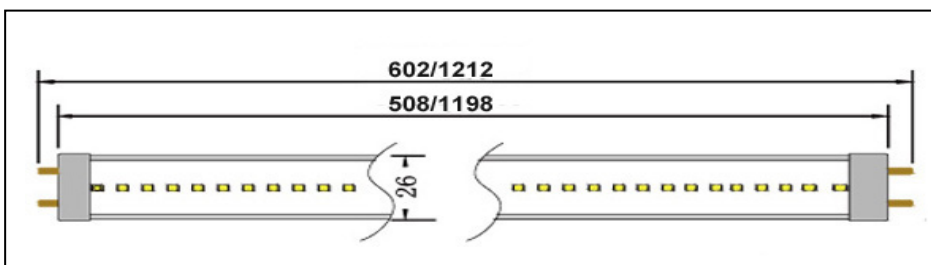
Operating Temperature: -20~+50℃

Electrical / Optical Characteristics at TA=25℃

Length	Part No.	PC cover type	Luminous flux (lm)			Power	CRI	Viewing Angle
			3000K	4000K	5000K			
2FT (600mm)	T8-10W-60	Clear lens	1080lm	1150lm	1210lm	10W	≥80	120°
		Frosted lens	1010lm	1020lm	1050lm			
4FT (1200mm)	T8-18W-120	Clear lens	1980lm	2060lm	2150lm	18W		
		Frosted lens	1800lm	1840lm	1900lm			

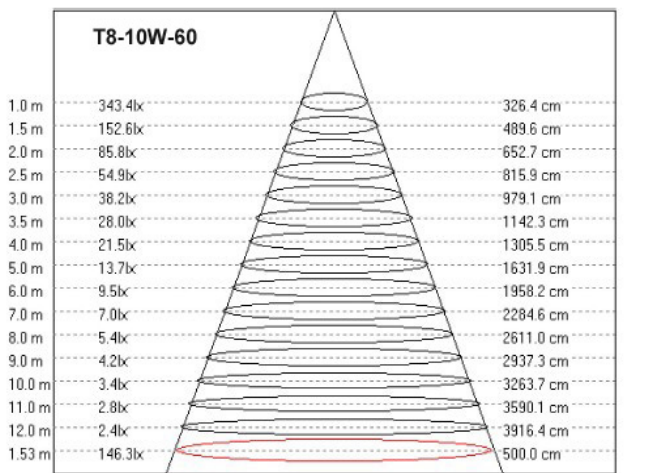
Notes: Tolerance of measurement of luminous intensity ±5%.

Dimension

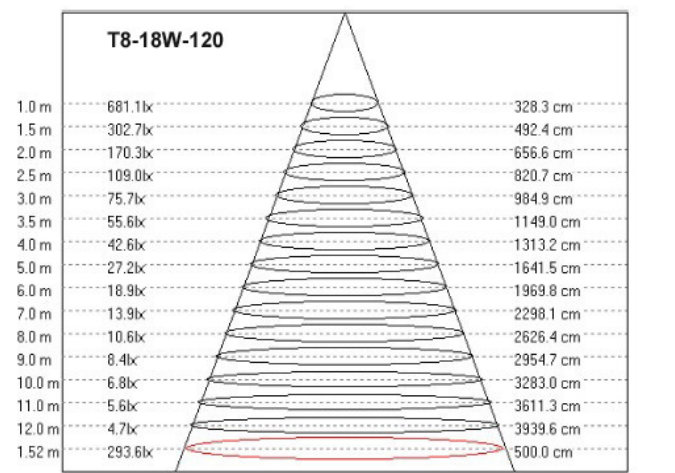


Notes : All dimension units are millimeter, and all dimension tolerance is ±1mm unless otherwise noted.

Illuminance

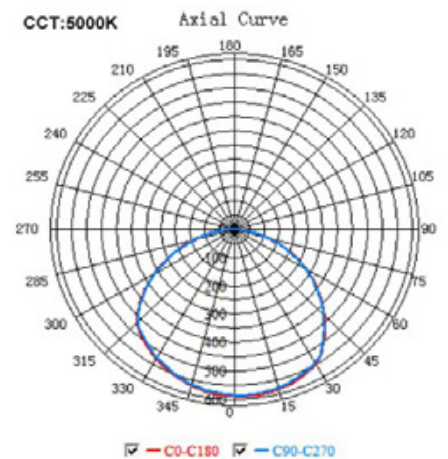
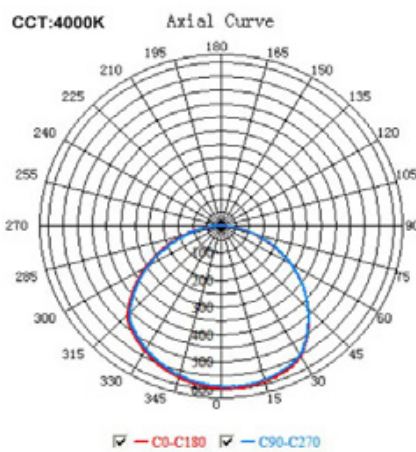
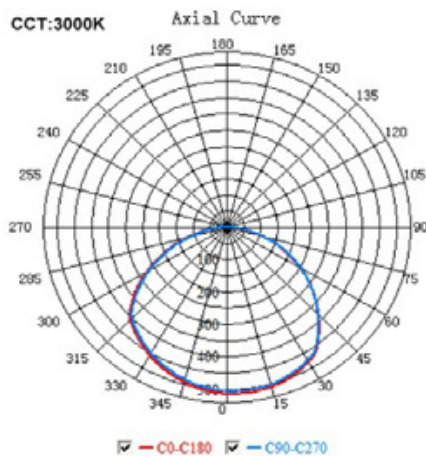


Height(M) Lux(lx) Vertical beam angle(50%): Horizontal beam angle(50%): Spot Diameter(cm)
117.0° 116.8°



Height(M) Lux(lx) Vertical beam angle(50%): Horizontal beam angle(50%): Spot Diameter(cm)
117.3° 117.3°

Light distribution curve

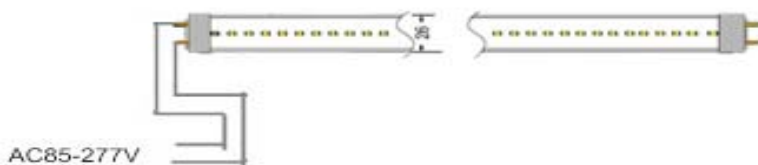


Installation



Before installation, please make sure the power is turned off.

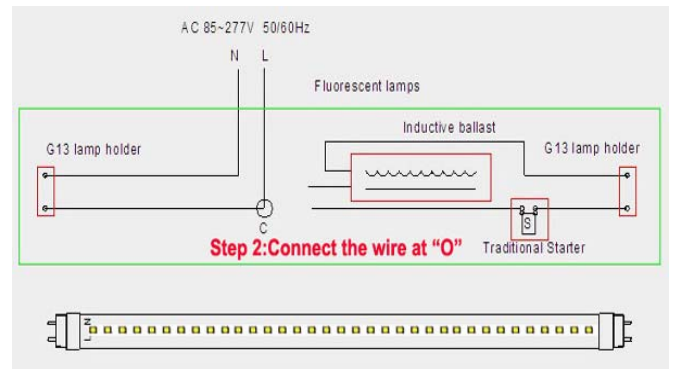
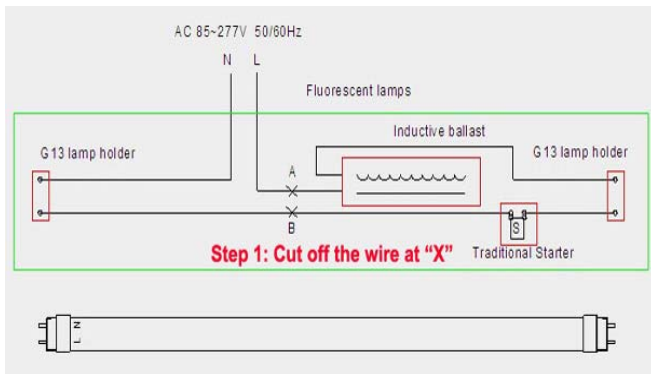
1. No need bracket, connect the power directly.



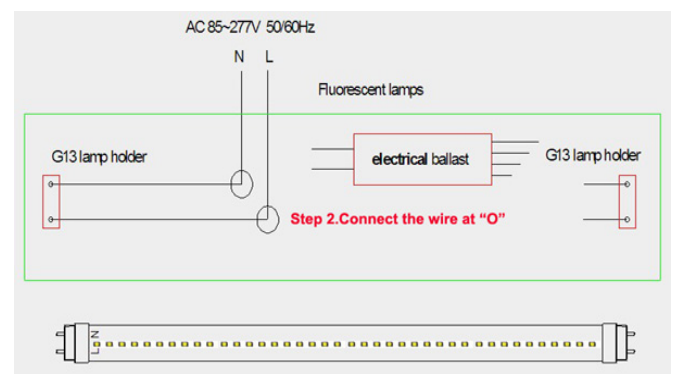
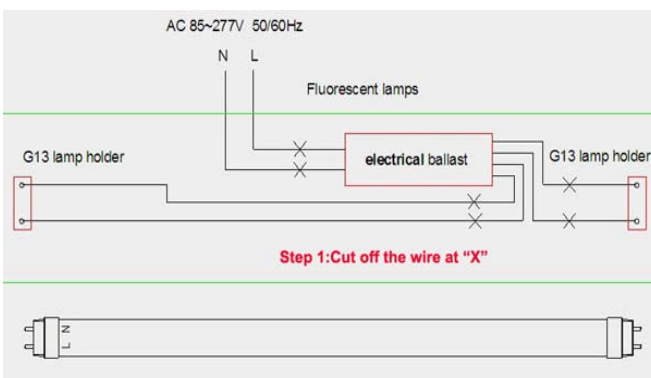
2. **Step 1:** Open the lamp holder, cut off the wires at point "X" on the drawing;

Step 2: Connect the wires at point "O" on the drawing.

(1) Inductive ballast

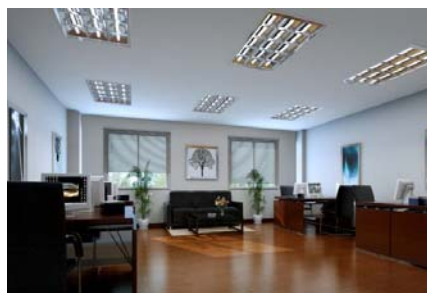


(2) Electronic ballast



Application

Restaurants & Hotels, Shopping mall, Retail & Grocery, Show room, Airport, Project Gallery, Hospitals, Subway station, bus and train, warehouse etc.



Package

Part No.	Package dimension	N.W.	G.W.
T8-10W--60	630X160X190mm , 20pcs/carton	0.16kg/PCS	5.88kg/CTN
T8-18W-120	1230X160X190mm , 20pcs/carton	0.31kg/PCS	10.64kg/CTN

