



E40 Screw type



Hook (Ring) type



Heavy! 10 kg
Not easy to install!
Bad COB LED with serious **Light decay**

- ✓ 180W only 3.3 kg!
- ✓ Japan **Nichia/Stanley** LED
- ✓ **Mean Well** power supply
- ✓ Good light maintenance
- ✓ Best reliability
- ✓ ies files are available
- ✓ Made in Taiwan

E40/Hook Low Bay 60W/90W

	E40 LB240-N/S	Hook LB241A-N	Hook LB241A-N	Hook LB241C-S/C
<ul style="list-style-type: none"> * Multiple LED (not COB) * Made in Taiwan * CE * Not waterproof * No fan * Weight < 1.5 kg 	 <i>Power inside</i>	 <i>Power inside</i>	 <i>Power Outside</i>	 <i>Power Outside</i>
Dimension	(D) 200 mm x (L) 260mm	(D) 200 mm x (L) 290mm	(D) 200 mm x (L) 290mm	(D) 200 mm x (L) 180mm
LED (Options)	  	 (only Nichia)	 (only Nichia)	 
Power Supply 	HLP-80H or CEN-75/100-24	HLP-80H or CEN-75/100	CEN-75/100	CEN-75/100
Input Voltage	AC100-277V	AC100-277V	AC100-277V	AC100-277V
Power Efficiency	89~90%	89~90%	89~90%	89~90%
Power Factor	HLP > 0.96/AC230V & >0.94/AC277V CEN > 0.95/AC230V, >0.9/AC277V			
CCT	CW 5700~6300K, NW 4000K is also available for Nichia LED version (-N)			CW 5700 ~6300K
CE	CE	CE	CE	CE

If using existing HID metal halide fixture, must remove remove or by-pass the ballast. Do NOT add cover which will cause heat problem

E40/Hook High Bay 120W/150W/180W

	E40 HB240-N/S/C	Hook HB241A-N	Hook HB241A-N	Hook HB241C-S/C
<ul style="list-style-type: none"> * Multiple LED (not COB) * Made in Taiwan * CE * Not waterproof * No fan * Weight 3.5 kg 	 <i>Power inside</i>	 <i>Power inside</i>	 <i>Power Outside</i>	 <i>Power Outside</i>
Dimension	(D)300 mm x (L) 360mm	(D)300 mm x (L) 390mm	(D)300 mm x (L) 390mm	(D) 300 mm x (L) 210mm
LED (Options)	  	 (only Nichia)	 (only Nichia)	 
Power Supply 	120W: CLG-150-24 150W/180W: HLG-240-24	120W: CLG-150-24 150W/180W: HLG-240-24	120W: CLG-150-24 150W/180W: HLG-240-24	120W: CLG-150-24 150W/180W: HLG-240-24
Input Voltage	AC100-277V	AC100-277V	AC100-277V	AC100-277V
Power Efficiency	CLG : 90%, HLG : 93%	CLG : 90%, HLG : 93%	CLG : 90%, HLG : 93%	CLG : 90%, HLG : 93%
Power Factor	HLG >0.95, CLG >0.95/AC230V, >0.93/AC277V			
CCT	CW 5700~6300K, NW 4000K is also available for Nichia LED version (-N)			CW 5700 ~6300K
CE	CE	CE	CE	CE

* If using existing HID metal halide fixture, must remove remove or by-pass the ballast.

* Do NOT add cover which will cause heat problem

Luminous Flux @ Cool White

	Nichia LED (-N) 5300~6500K CRI >70	Stanley LED (-S) 5300~6500K CRI >70	CREE LED (-C) 5300~6500K CRI 75
180W	17200 lm	18500 lm	19200 lm
150W	14500 lm	15400 lm	16000 lm
120W	11500 lm	12300 lm	12480 lm
90W	8600 lm	9270 lm	TBD
60W	5700 lm	6180 lm	TBD

Remark:

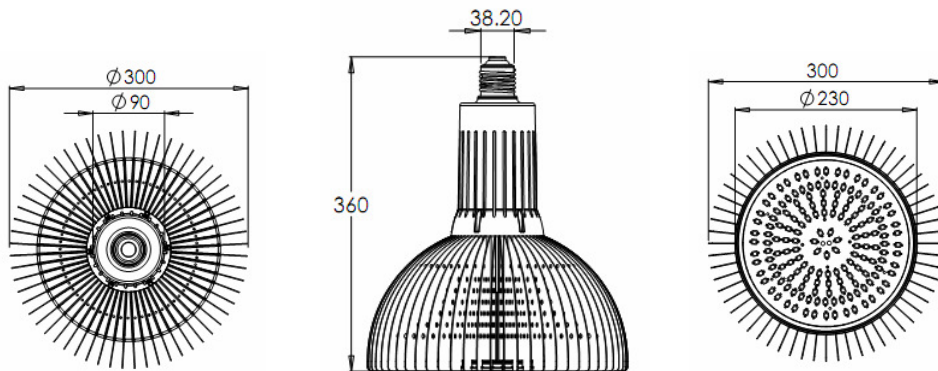
1. Nichia LED with NW (~4000K, with CRI >70) is available and do not require MOQ.
2. Nichia LED with high CRI 80 is optional but require MOQ to produce
3. NW with Stanley and CREE LED version is optional, but requires MOQ to produce
4. CREE LED at CCT 2600~3700K is CRI > 80, require MOQ to produce
5. Other CCT such as warm white is optional, but require MOQ

E40 High/Low Bay Bulb also has *hook version (#241)* which do not need additional fixture.

HBA241

HBA240

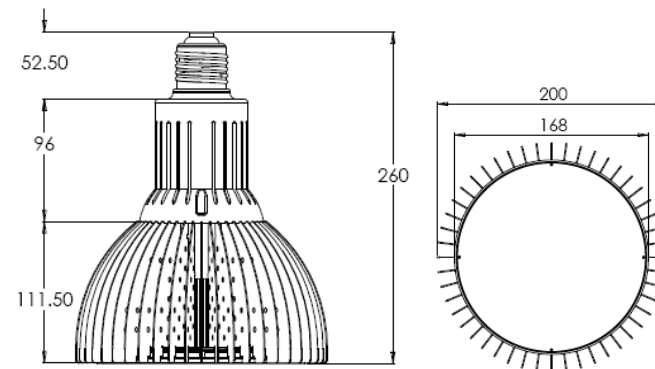
120W/150W/180W



LB240

LB241

60W/90W



Instruction for various revision of hook type:

- * Power inside: options for HB241A or HB241B
- * Power outside: please choose HB241C (power outside is better for maintenance)

HB241A
(power inside)
plastic back housing



Plastic back cover
Less weight

HB241B
(power inside)
metal back housing



Aluminum back cover
Better heat dissipation

HB241C (new!)
(power outside)
Short length

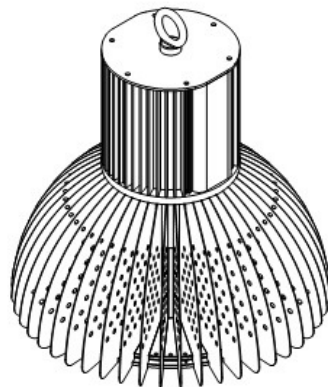
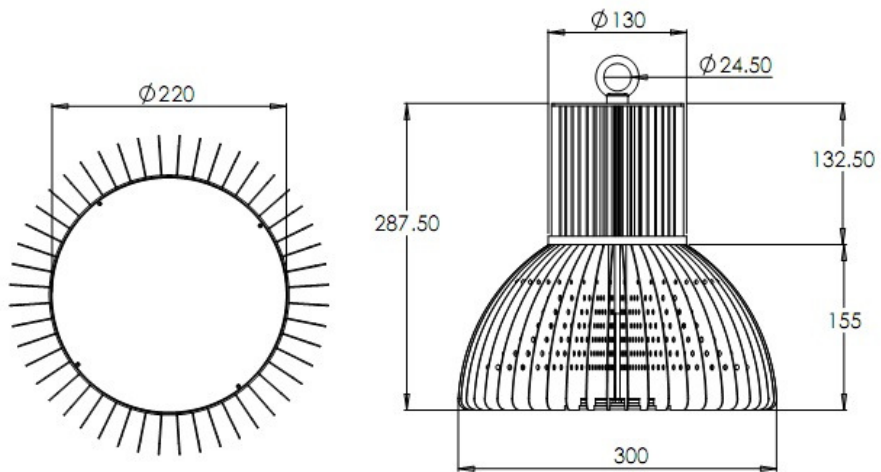


Shorter length
save shipping cost

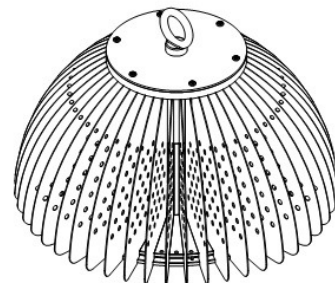
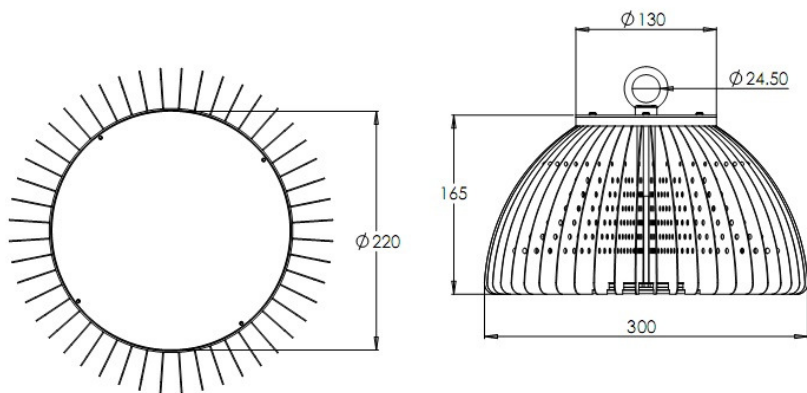
HB242 (power inside)
HB243 (waterproof)
Fixture type



Fixture type
Waterproof is optional



High bay 120W/150W/180W
Ring type - Power Inside



High bay 120W/150W/180W
Ring type - Power Outside

Notice:



The LED Lamp is directly AC100-277V input. Please remove (or by-pass) the Ballast, otherwise it will cause problem to this product



Do not add cover. Please remove the existing lamp cover. Otherwise the product will overheat.



For E40 type, protective Chain is strongly suggested to fit on the E40 lamp in order to prevent the earthquake and drop.



Australia's Shopping center



Taiwan gym